



RCA26EK-11
FIXED POINTER

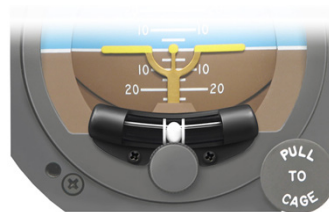


RCA26EK-13
MOVABLE POINTER

The **RCA26EK** Series of gyroscopic Attitude Indicators is the culmination of over 60 years of experience in gyro design. With the Multi-Volt feature, the **RCA26EK** can be installed in virtually any aircraft regardless of its power system. Designed as a direct replacement for the **RCA26AK** (14 volt) and the **RCA26BK** (28 volt) instruments, the **RCA26EK** is built with the same sturdy construction and quality you expect from R.C. Allen.

The **EK** line, which includes the **RCA15EK** Multi-Volt Directional Indicator, can operate at a lower voltage than any other instrument on the market - giving them an extra safety edge in a low voltage situation. Together, they make a "Perfect Pair".

- MULTI-VOLT OPERATION (11 TO 30 VOLTS)
- MULTI-VOLT INTEGRATED LIGHTING
- FITS STANDARD 3" CUTOUT
- BOLD COLOR DISPLAY
- POWER FAILURE FLAG
- FIXED OR MOVABLE POINTER MODELS
- LIGHTED OR NON-LIGHTED
- ONE YEAR LIMITED WARRANTY



The **RCA26EK** can be ordered with an **optional Slip Indicator** (Order P/N 444-0010-01) which satisfies FAA AC 91-75 for even greater versatility.

<u>OPERATING VOLTAGE</u>	11 to 30VDC
<u>STARTING CURRENT</u>	(14VDC system) 3.40 AMPS MAX (28VDC system) 1.40 AMPS MAX
<u>RUNNING CURRENT</u>	(14VDC system) 1.24 AMPS MAX (28VDC system) 0.62 AMPS MAX
<u>CIRCUIT BREAKER SIZE</u>	(14VDC system) 4 AMP (28VDC system) 2 AMP
<u>OPERATING TEMPERATURE RANGE</u>	-30° TO +50° C
<u>DIMENSIONS</u>	SEE FIGURE 1
<u>WEIGHT</u>	2.3 LBS
<u>FAA SPECIFICATION CONFORMANCE</u>	TS0-C4c
<u>MEETS OR EXCEEDS</u>	AS396B

NOTE: Panel tilt angle is set at the factory and must be specified at time of order.

Visit us at: www.kellymfg.com

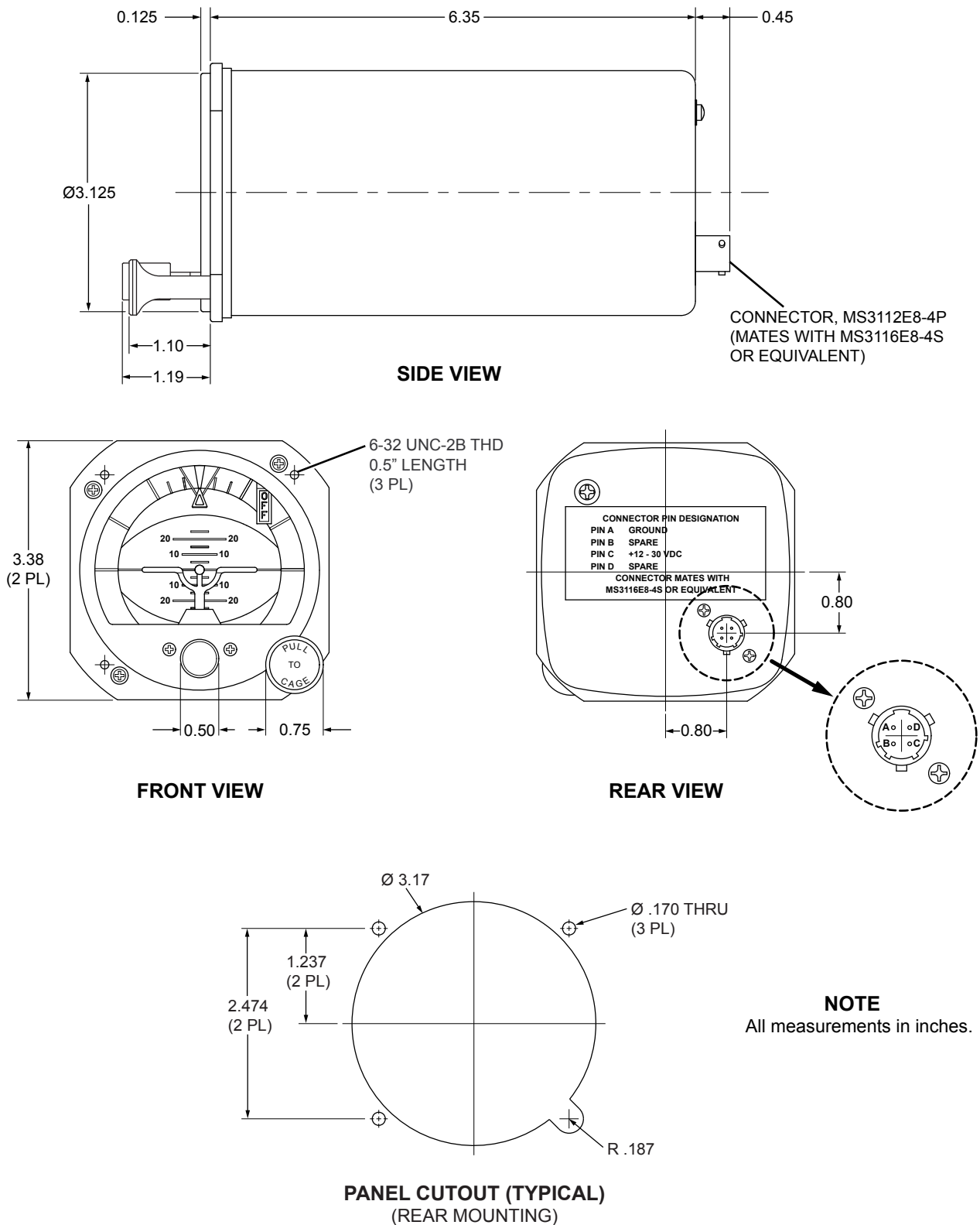
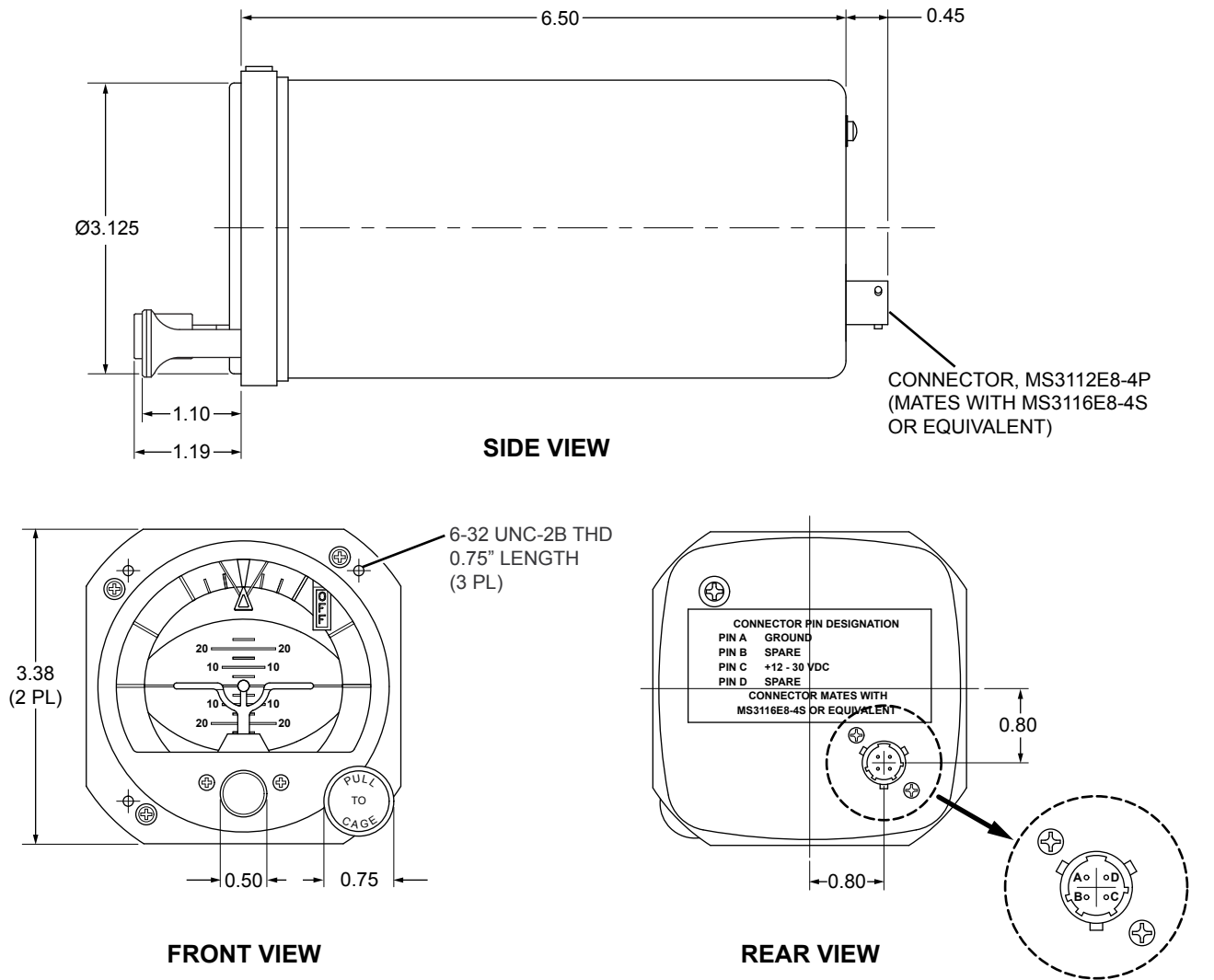


Figure 1, General Dimensions of the RCA26EK-11 (unlighted)



NOTE
All measurements in inches.

Figure 2, General Dimensions of the RCA26EK-12 (lighted)